

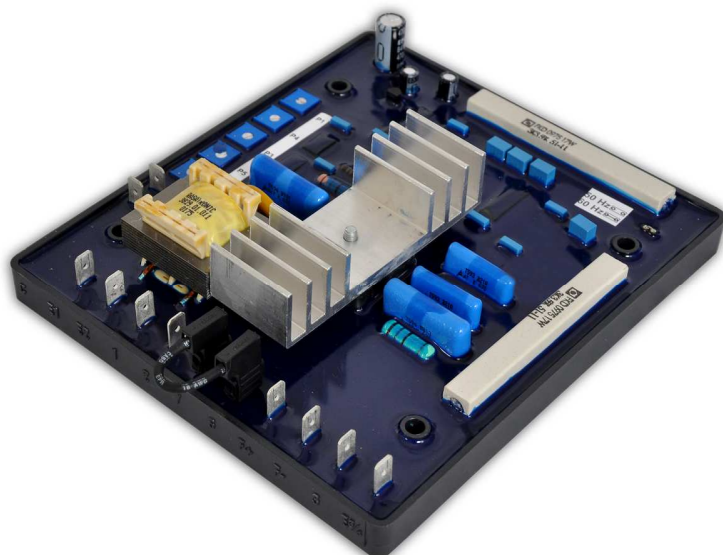
Automatic Voltage Regulator

Regulador Automático de Tensión

Regulador Automático de Tensão

GRT7-TR1

Installation, Operation and Maintenance Manual
Manual de Instalación, Operación y Mantenimiento
Manual de Instalação, Operação e Manutenção





Installation, Operation and Maintenance Manual
Manual de Instalación, Operación y Mantenimiento
Manual de Instalação, Operação e Manutenção

Document # / N° do documento:

Models / Modelos: GRT7-TR1,

Language / Idioma: English / Español / Português

Revision / Revisión / Revisão: 01

December / Diciembre / Dezembro, 2016

GENERAL INDEX / ÍNDICE GENERAL / ÍNDICE GERAL

Installation, Operation and Maintenance Manual
Page 7 - 20

English

Manual de Instalación, Operación y Mantenimiento
Páginas 21 - 35

Español

Manual de Instalação, Operação e Manutenção
Páginas 36 - 51

Português

FOREWORD

This manual may in no way be reproduced, filed or transmitted through any type of media, whether it be electronically, by printing, phonographically or any other audiovisual means without prior consent from WEG. Infringement is subject to prosecution under the law.

Due to the continuous improvement of WEG products, the present manual may be modified and/or updated without prior notice which may result in new revisions of the installation and maintenance manuals for the same product.

WEG reserves itself the right not to update automatically the information included in this manual. However, customers may at any time request any updated version of the manual, which will be supplied to them free of charge.

If requested, WEG can supply an extra copy of this manual. The equipment serial number and model should be informed by the customer, when making the request.



ATTENTION

1. It is absolutely necessary to follow the procedures contained in this manual for the warranty to be valid.
2. The generator installation, operation and maintenance must be executed by qualified personnel.



NOTES

1. The total or partial reproduction of the information supplied in this manual is authorized, provided that reference is made to its source;
2. If this manual is lost, an electronic PDF file is available from our website www.weg.net or another printed copy can be requested.

INDEX

1	SAFETY INFORMATION	11
2	STORAGE INFORMATION	11
3	INTRODUCTION	11
4	TECHNICAL CHARACTERISTICS	12
5	REGULATOR NAMEPLATE	12
6	BLOCK DIAGRAM.....	13
7	TRIMPOTS FUNCTION	13
8	TRIMPOTS ADJUSTMENT	13
9	OPERATION	14
9.1	VOLTAGE REGULATOR	14
9.2	POWER CIRCUIT CONNECTION.....	14
9.3	FIELD FLASHING	14
9.4	U/F OPERATION	14
9.5	PARALLEL OPERATION FOR TWO OR MORE GENERATORS ¹	15
10	CONNECTION DIAGRAMS.....	16
11	DIMENSIONAL DRAWINGS (MM)	17
12	IDENTIFICATION OF CONNECTION TERMINALS	17
13	DIAGRAM FOR TEST WITHOUT GENERATOR.....	17
14	PROBLEMS, CAUSES AND CORRECTIVE ACTIONS.....	19
15	PREVENTIVE MAINTENANCE.....	19
16	WARRANTY	19

1 SAFETY INFORMATION

To guarantee the safety of the operators, the correct installation and proper operation of the equipment, the following precautions must be taken:

- Installation and maintenance services should be performed only by qualified personnel, using appropriate equipment;
- The product instruction manual and specific product documentation must always be consulted before proceeding with its installation, handling and parameter setting;
- Adequate precautions should be taken to avoid drops, knocks and/or risks to the operators and the equipment;

Always disconnect the main power supply and wait for the generator to come to a complete stop, before touching any electrical component associated with the equipment including the control connectors. Do not touch the input and output connectors since high voltages may be present even after the power has been switched off and keep them isolated from the rest of the main command circuit of the generator.

2 STORAGE INFORMATION

If the generator needs to be stored for a short period of time before its installation and/or start-up, the following measures should be taken:

- The regulator must remain in its original package or in a similar package which provides the same safety conditions against mechanical damages, excessive temperature and humidity so as to avoid rusting of contacts and metallic parts, damages to integrated circuits or any other damage arising from improper storage;
- Properly packaged, the regulator must be kept in a dry and well-ventilated area away from direct sunlight, rain, wind and other adverse weather conditions in order to ensure the preservation of its operational functions.

Failure to comply with the above mentioned recommendations could exempt the supplier of the equipment from any responsibilities and liabilities from any resulting damages as well as voiding the warranty on the equipment or damaged part.

3 INTRODUCTION

The GRT7 automatic analog voltage regulators are compact while featuring high reliability and low cost. They were designed with state-of-the-art technology for voltage regulation of brushless synchronous generators.

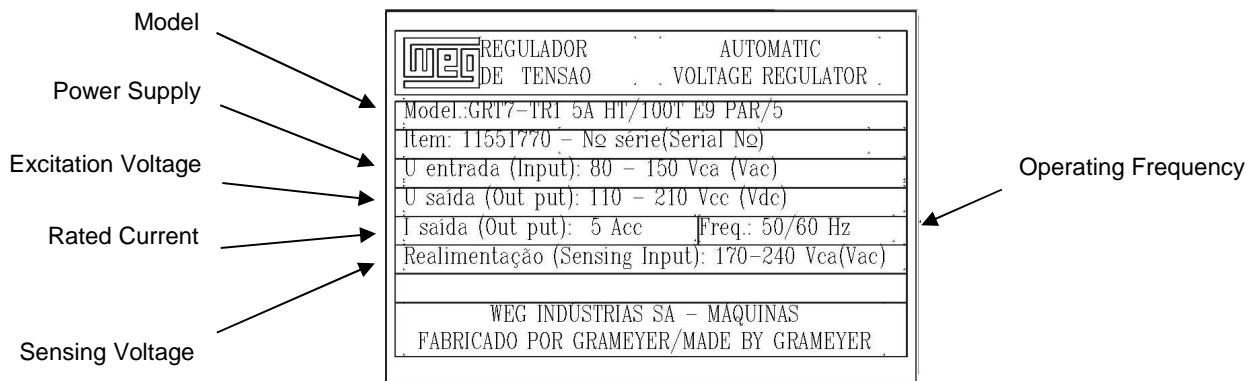
Their control and regulation circuits use semiconductors and integrated circuits duly tested following the most demanding quality requirements. Mechanical components for field flashing are not required, and its system is completely solid state and encapsulated in epoxy resin suitable for maritime environments and able to withstand vibrations of up to 50 mm/s. It is fitted with internal voltage adjustment by trimpot and external by potentiometer allowing a generator voltage adjustment.

The PID control system is adjusted with two trimpots that adjust the proportional gain and the integral gain allowing a wide adjustment range while allowing operation of the regulator with several types of generators, and with a high number of dynamic characteristics. The under frequency protection set point is adjustable by trimpot, and the nominal operating frequency can be set to 50Hz or 60Hz.

4 TECHNICAL CHARACTERISTICS

Characteristics	GRT7-TR1
Nominal operating current	5A
Peak Current	10A
Analog input $\pm 9V_{dc}$	Optional
Droop adjustment for parallel operation	yes
Sensing Input	D=85-140Vac H=170-240Vac I=300-420Vac J=350-480Vac
Power supply	80-150 Vac
Rectifier gain ratio	0,95
Output voltage ¹	76,5-126 Vdc
Field resistance @ 20°C	6 up to 50 Ω
Static regulation	0,5%
Adjustable dynamic response	8 up to 500ms
Operating frequency	50 or 60Hz
Under Frequency protection (U/F)	Adjustable
Internal voltage adjustment	Adjustable via trimpot, for the complete range of Voltage
External voltage adjustment ²	- 30% (V_{sen})
Operating Temperature	-20° to +60°C
EMI suppression	EMI Filter
Approximate weight	715 g

5 REGULATOR NAMEPLATE



The example above shows the main characteristics to be followed before installation.



NOTE

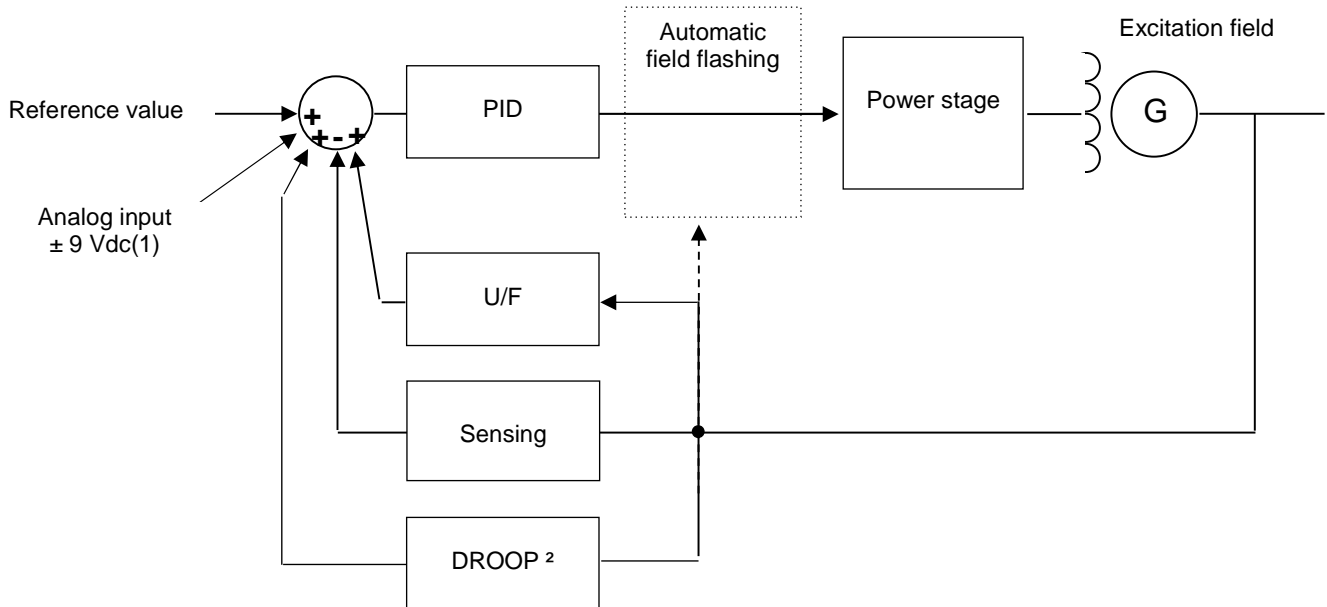
1. The identification nameplate is attached to the bottom of the regulator frame.

¹ For an input voltage of 80Vac, the maximum output voltage obtained is 76Vdc.

For 150Vac of input voltage, the output voltage obtained is 144Vdc, that is, the maximum dc output voltage is equal to 0.95 x the ac voltage input.

² Recommended the use of multi-turn potentiometer.

6 BLOCK DIAGRAM



7 TRIMPOTS FUNCTION

P1: Voltage adjustment

P2: Stability adjustment.

P3: Under frequency adjustment.

P4: Droop adjustment.

8 TRIMPOTS ADJUSTMENT

P1: Rotating CW, voltage increases.

P2: Rotating CW, dynamic response will be slower.

P3: Rotating CW, U/F range increases and rotating CCW, it decreases.

P4: Rotating CW, reactive compensation range increases.



NOTE

1. A potentiometer may be connected for fine voltage adjustment (5K Ω / 3W) at terminals 6 and 7.

9 OPERATION

9.1 VOLTAGE REGULATOR

It compares the actual output voltage from the generator with the theoretical adjusted value through the trimpot of voltage adjustment P1, plus the external voltage adjustment (if any). The error is processed by the sensing loop whose value determines the thyristor firing angle which may vary from 0 to 180°, thus controlling the output voltage of the generator.

9.2 POWER CIRCUIT CONNECTION

The generator voltage or the auxiliary winding voltage is connected to the terminals AC1, AC2 and AC3. This rectified voltage is applied, in a controlled fashion, to the generator exciter field.

9.3 FIELD FLASHING

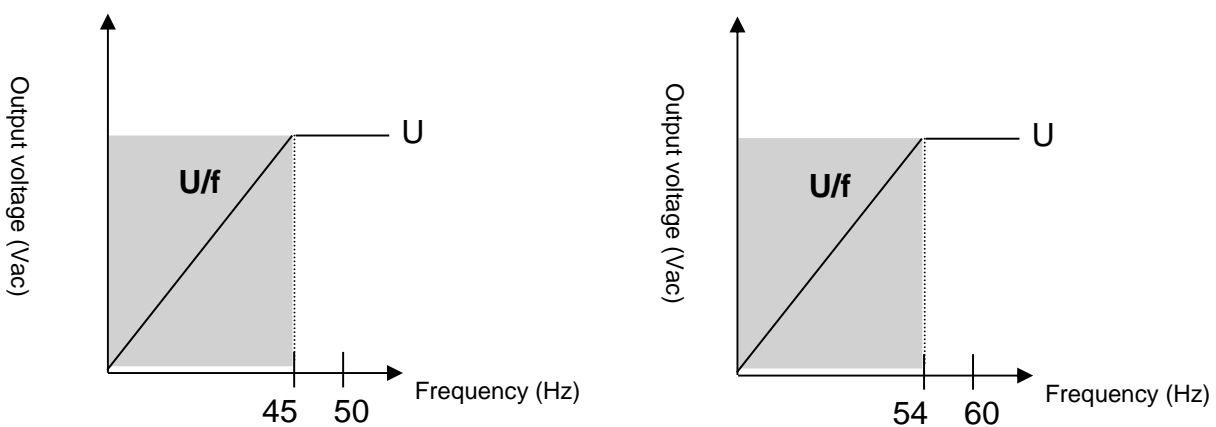
Generation begins through the residual voltage of the generator. Once the voltage has reached about 10% of the nominal voltage, the regulator controls the generator voltage causing it to rise through the initial ramp in approximately 3 seconds. When the generator reaches its nominal value, the PID control loop will maintain the generator output voltage constant within the adjusted value.

9.4 U/F OPERATION

This operation is determined by trimpot P3, jumper J1 and associated components. The J1 jumper determines the operating frequency (50 or 60 Hz), following the logic below:

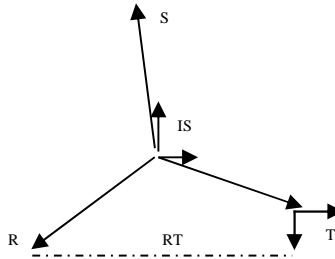
- J1 A = 50 Hz
- J1 B = 60 Hz

Trimpot **P3** determines the set point of the U/F mode, that can be from the nominal frequency (Fn) down to 1/3 of Fn, the value of which comes out of the factory adjusted to 10% below Fn. For operation at 60Hz it is adjusted to 54Hz and for operation at 50 Hz it is adjusted to 45Hz, the value of which can be changed based on each application requirements.



9.5 PARALLEL OPERATION FOR TWO OR MORE GENERATORS¹

The reactive compensation method applied is called a phasor diagram. Through this diagram, the generator output voltage signal is measured and compared with the generator current voltage. The result of this interaction introduces a sensing error of the actual voltage signal, causing an increase or a decrease in the generator voltage, thus maintaining the reactive between the generators within acceptable values. The adjustment of this compensation is made through trimpot P4.



¹ Only for models TR1.

According to the phasor diagram, the sensing voltage is influenced by the current coming from phase S, which is added to the voltage of phases R and T. The influence is small in module and large in phase, which means that there is good compensation for reactive loads and a small influence with active loads.

The current transformer (CT) for reactive compensation must be in phase S of the generator, and the voltage sensing signal must be in phases R and T.

To make sure the compensation is in the proper direction, proceed as follows:

- Operate the generator by itself (isolated from the grid) and apply a resistive load with about 20% of the generator capacity;
- After completely rotating the P4 trimpot clock wise (CW), the generator voltage should decrease.

Rotating back the trimpot completely CCW, generator voltage should then increase; If this occurs, the CT polarity is correct. Otherwise the CT should be inverted.

When several generators are connected in parallel, this procedure is required to ensure that all the CT's are properly polarized.

The current transformer for compensation of reactive must be in phase S of the generator and the feeding signal in the phase R. To ensure the correct polarization of TC, Inductive Resistive loads must be applied and the system checked for good response as below.

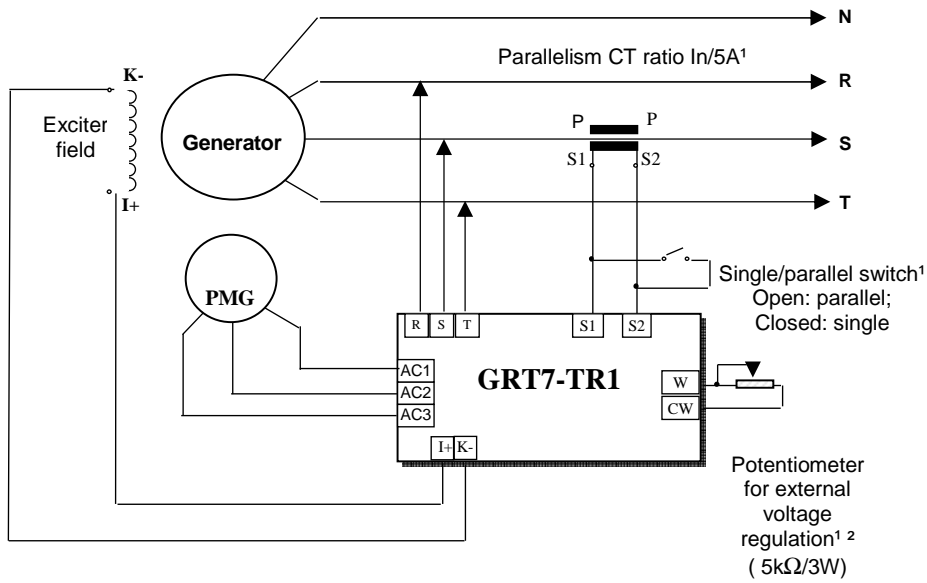
Resistive Loads: It will not present compensation with resistive load, keeping the excitation current and generator voltage constant in the value adjusted via trimpot Vad. In case of compensation, it indicates that TC is in the wrong phase.

Inductive Loads: With inductive load application, it shall present negative compensation, decreasing the excitation current corresponding to the gain adjusted in the trimpot droop (0 to 15% voltage adjusted in the Vad). If the compensation is positive, it indicates the TC is inverted.

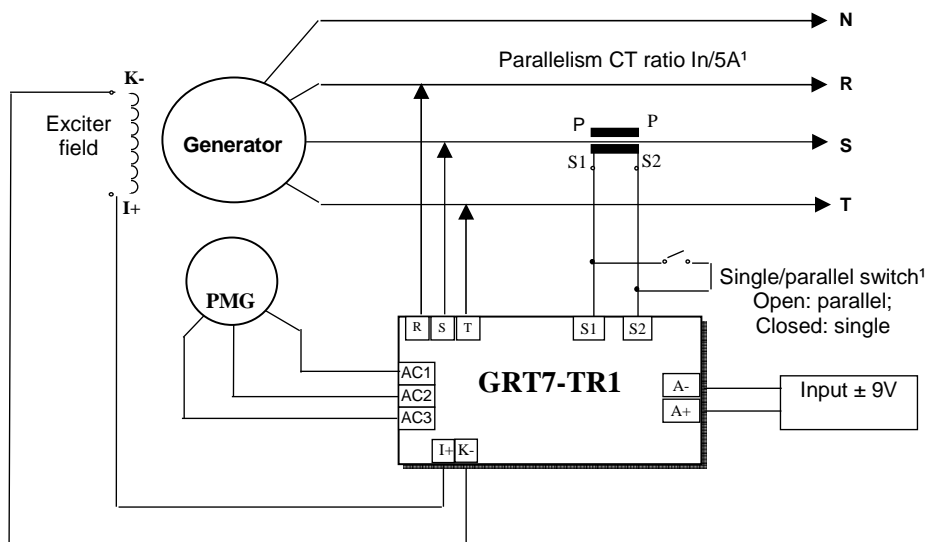
Capacitive Loads: With application of capacitive loads, it will present a positive compensation, increasing the excitation current corresponding to the gain adjusted in the trimpot droop (0 to 15% voltage adjusted in the Vad). If the compensation is positive, it indicates the TC is inverted.

- Accuracy class of 0,6C12,5;
- Window or bar type;
- Transformer ratio will be $I_n/5A$ or $I_n/1A$, where I_n/xA is the ratio of the TC primary. Ex.: 100/5A, 150/5A, 100/1A;
- 5A secondary current for regulator PAR/5 and 1A for regulator PAR/1;
- The current in TC primary must be 20% bigger than the nominal current of the machine;
- The TC operation frequency must be equal to the generator frequency;
- The TC isolation voltage class must be bigger than the generator output voltage;
- It must support $1.2 \times I_n$.

10 CONNECTION DIAGRAMS



GRT7-TR1 External Potentiometer



GRT7-TR1 Analog Input

1 ITEM NOT SUPPLIED BY WEG.

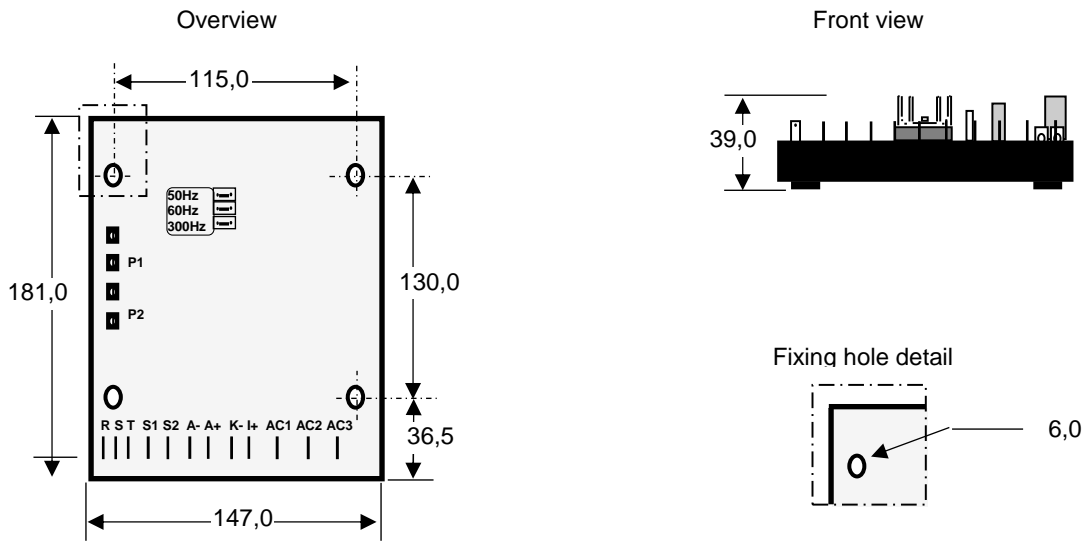
2 IF NO POTENTIOMETER IS CONNECTED, KEEP TERMINALS 6 AND 7 JUMPED (SHORT-CIRCUITED) .



ATTENTION

1. Before connecting the regulator to the generator, check installation manual and the nominal reference voltage;
2. If the reference voltage is not equal to the generator output voltage, do not make the connections without first contacting the service department.

11 DIMENSIONAL DRAWINGS (mm)



12 IDENTIFICATION OF CONNECTION TERMINALS

R;S;T: Sensing Voltage.

AC1;AC2;AC3: Power supply.

S1': Connection for pole S1 of the CT.

S2': Connection for pole S2 of the CT.

6 e 7: Connection for potentiometer 5K Ω /3W.

I+, K-: Connection for generator field.

J1: Jumper 50/60Hz.

A+: Analog input voltage -Vdc.

A-: Analog input voltage + Vdc.

13 DIAGRAM FOR TEST WITHOUT GENERATOR

Below is the diagram for regulator connection on the bench where the equipment operation may be verified before connection to the generator.

Material required:

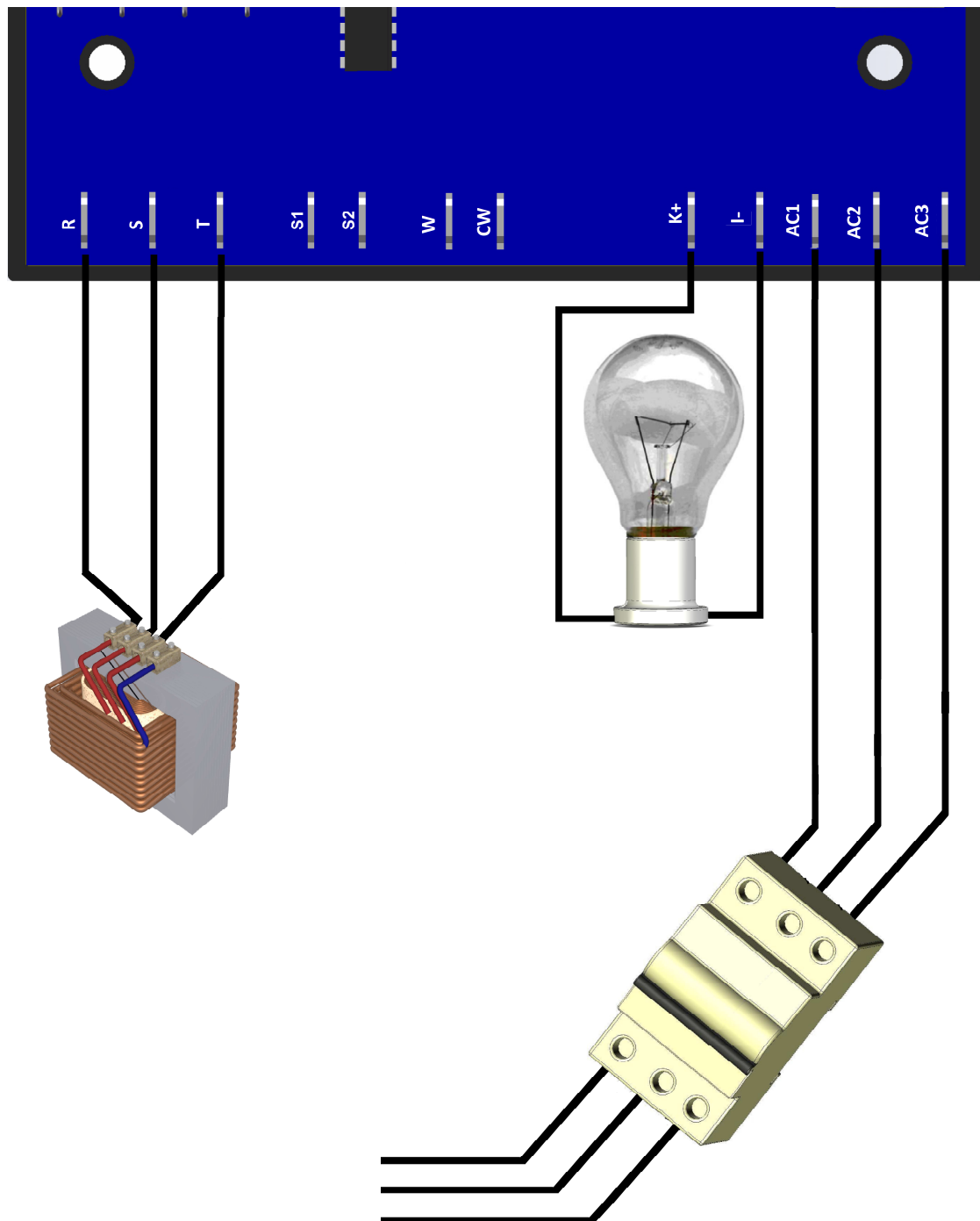
- 1 - Small screwdriver;
- 1 - Incandescent lamp;
- 1 - Lamp socket;
- 1 - Bipolar breaker (5A recommended);
- 1 - Extension cable;
- 1 - Plug 110V.




NOTE

1. After performance of such steps as per the procedure the equipment must be sent for evaluation by GRAMEYER technical support.

- 1°. Mount circuit as per diagram below;
- 2°. With small screwdriver, turn trimpots Vad and U/F counter-clockwise until the end of stroke;
- 3°. Turn on circuit breaker:
- 4°. Turn slightly the trimpot Vad clockwise (the lamp must shine after certain position of trimpot)
- 5°. With lamp on, turn slightly the trimpot Vad counter-clockwise (after certain position of trimpot, the lamp must turn off);
- 6°. Turn off the circuit breaker.



14 PROBLEMS, CAUSES AND CORRECTIVE ACTIONS

Problems	Causes	Corrective Actions
- There is circulation of reactive power between generators when operating in parallel.	<ul style="list-style-type: none"> - Phases sequence (R-S-T) incorrectly connected. - CT connections are inverted. - Droop adjustment excessively low. 	<ul style="list-style-type: none"> - Connect phase sequence correctly. - Correctly polarize the CT in the phase shown below:  <ul style="list-style-type: none"> - Increase droop adjustment, rotating trimpot P2 clockwise (CW).
- Generated voltage decreases when load is applied, and it doesn't return.	<ul style="list-style-type: none"> - Dropping speed of the driving machine. - Under frequency protection engaged. 	<ul style="list-style-type: none"> - Correct speed regulation. - Adjust Under frequency protection by rotating trimpot P5 clockwise (CW).
- Generator voltage does not increase.	<ul style="list-style-type: none"> - Residual voltage excessively low. - Terminals F (+) and F (-) are inverted. 	<ul style="list-style-type: none"> - With the regulator switched- on, use external battery (12Vcc) to force excitation (*). - Invert F (+) and F (-).
- Generated voltage oscillates at no load.	<ul style="list-style-type: none"> - Dynamic not well adjusted. - Generator excitation voltage excessively low. 	<ul style="list-style-type: none"> - Adjust trimpots P3 and P4; - Insert 10Ω/100W resistor in series with field.
- Voltage oscillates at a specific load point.	<ul style="list-style-type: none"> - Third harmonic of the auxiliary coil is high. 	<ul style="list-style-type: none"> - Eliminate auxiliary coil and proceed with the connections according to the diagrams of page 13.
- Voltage surges.	<ul style="list-style-type: none"> - Lack of sensing. - Faulty electronic circuit. - Sensing voltage incompatible with regulator. 	<ul style="list-style-type: none"> - Check if generator phases are present in the sensing. - If the regulator is encapsulated, replace it.

(*)For battery diesel generator where the generator neutral is grounded battery should always be used independently.

15 PREVENTIVE MAINTENANCE

Periodical inspections of the equipment are required to ensure they are clean, dust and moisture free. It is essential that all terminal and connections are kept free from corrosion.

16 WARRANTY

See Installation and Maintenance Manual for WEG G Line Generator.



WEG Equipamentos Elétricos S.A.
 International Division
 Av. Prefeito Waldemar Grubba, 3000
 89256-900 - Jaraguá do Sul - SC - Brazil
 Phone: 55 (47) 3276-4002
 Fax: 55 (47) 3276-4060
www.weg.net

PREFACIO

Esta publicación no podrá en ninguna hipótesis ser reproducida, almacenada o transmitida a través de algún tipo de medio, sea electrónico, impreso, fonográfico o cualquier otro posible medio audiovisual, sin la autorización previa de WEG Industrias S.A. Los infractores estarán sujetos a las penas previstas en la ley.

Esta publicación podrá ser alterada y / o actualizada y podrán resultar en nuevas revisiones de los manuales de instalación, operación y mantenimiento, teniendo en vista el continuo perfeccionamiento de los productos WEG.

La WEG se reserva el derecho de la no-obligatoriedad de actualización automática de las informaciones contenidas en estas nuevas revisiones. No obstante eso, y en cualquier momento el cliente podrá solicitar material actualizado que le será provisto sin cargos resultantes.

En caso de pérdida del manual de instrucciones, la WEG podrá proveer ejemplar separado y caso fuera necesario, informaciones adicionales sobre el producto. Las solicitudes podrán ser atendidas, siempre que sea informado el número de serie y modelo del equipo.



ATENCIÓN

1. Es imprescindible seguir los procedimientos contenidos en este manual para que la garantía tenga validez;
2. Los procedimientos de instalación, operación y mantenimiento del generador deberán hacerse por personal calificado.



NOTAS

1. La reproducción de las informaciones de este manual, total o en partes, se permite desde que la fuente sea citada;
2. Si se extraviar este manual, el archivo electrónico en formato PDF está disponible en el sitio www.weg.net o podrá ser solicitada otra copia impresa.

INDEX

1	INFORMACIONES DE SEGURIDAD.....	25
2	INFORMACIONES SOBRE ALMACENAJE.....	25
3	INTRODUCCIÓN	25
4	CARACTERÍSTICAS TÉCNICAS.....	26
5	TARJETA DE IDENTIFICACIÓN.....	26
6	DIAGRAMA DE BLOQUES	27
7	FUNCIÓN DE LOS TRIMPOTS	27
8	AJUSTE DE LOS TRIMPOTS	27
9	OPERACIÓN	28
9.1	REGULADOR DE TENSIÓN.....	28
9.2	CONEXIÓN DEL CIRCUITO DE POTENCIA	28
9.3	ENCENDIDO DEL CAMPO	28
9.4	OPERACIÓN U/F.....	28
9.5	OPERACIÓN PARALELA DE DOS O MÁS GENERADORES ¹	29
10	DIAGRAMA DE CONEXIÓN.....	30
11	DIMENSIONAL (MM).....	32
12	DESCRIPCIÓN DE LOS TERMINALES DE CONEXIÓN	32
13	DIAGRAMA PARA PRUEBA SIN GENERADOR	32
14	DEFECTOS, CAUSAS Y SOLUCIONES	34
15	MANTENIMIENTO PREVENTIVO	34
16	GARANTIA	34

1 INFORMACIONES DE SEGURIDAD

Para garantizar la seguridad de los operadores, la correcta instalación del equipo y su preservación, las precauciones abajo deberán ser tomadas:

- Los servicios de Instalación y manutención deberán ser hechos solamente por personas calificadas y con manejo de los equipos correctos;
- Deberán siempre ser observados los manuales de instrucción y la tarjeta de identificación del producto antes de proceder su instalación, manejo y configuración;
- Debiese tener especial cuidado para que el equipo no sufra caídas, golpes físicos y / o poniendo en riesgo la seguridad de las personas;

Siempre desconecte la red general y aguarde hasta la parada total del generador antes de tocar en cualquier componente eléctrico asociado al equipo, haciendo también lo mismo en los terminales de comando. No toque en los conectores de entradas y salidas porque altas tensiones pueden estar presentes mismo después de la desconexión de la red, y mantenga estos siempre aislados de lo restante del circuito de comando principal del generador.

2 INFORMACIONES SOBRE ALMACENAJE

En caso de necesidad de almacenaje del regulador por pequeño período de tiempo antes de su instalación y / o funcionamiento, deberán ser tomadas las precauciones como sigue:

- El regulador deberá ser mantenido en su embalaje original o embalaje que atienda las mismas condiciones de seguridad contra daños mecánicos, temperatura y humedad excesivas, para prevenir la ocurrencia de oxidación de conexiones, contactos y partes metálicas, daños en circuitos integrados o otros daños provenientes de mala conservación;
- El regulador debidamente acondicionado deberá ser abrigado en local seco, ventilado y que no ocurra la incidencia directa de los rayos solares, bien como la lluvia, viento y otras intemperies, para garantizar la manutención de sus características funcionales.

Si no fueren observadas las recomendaciones arriba, podrá eximir el proveedor del equipo de cualquier responsabilidad pelos daños decurrentes, bien como la perdida de la garantía sobre el equipo o parte dañada.

3 INTRODUCCIÓN

Los reguladores electrónicos de Tensión analógicos de la serie GRT7 son equipos compactos de alta confiabilidad y de bajo costo, los cuales fueron desarrollados dentro de la mas alta tecnología, para regulación de Tensión en generadores sincrónicos sin escobillas (brushless).

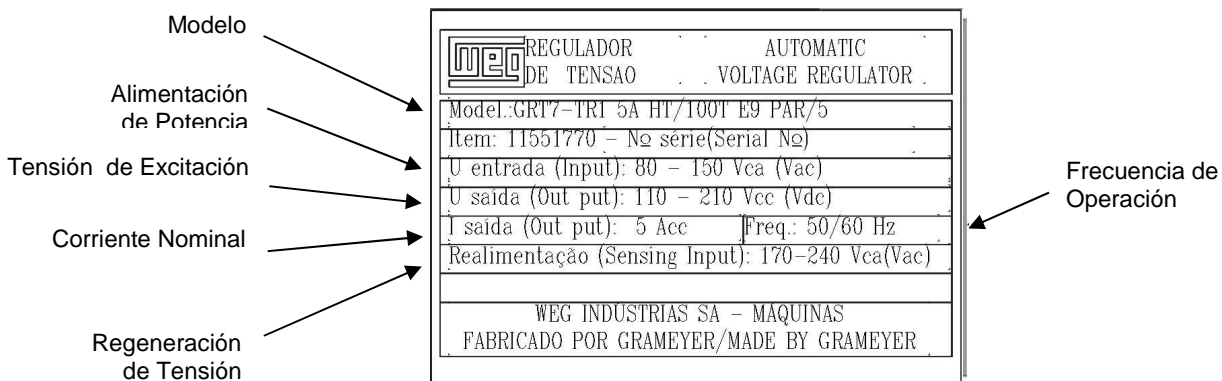
Su circuito de control y regulación utiliza semiconductores y circuitos integrados probados dentro de los más rígidos padrones de calidad. No poseen componentes mecánicos para encender el campo y su sistema es totalmente estático y encapsulado en resina epóxi resistente à salinidad. Pueden suportar vibraciones hasta 50mm/s. Poseen ajuste de Tensión interno por trimpot y externo por potenciómetro, posibilitando un rango de ajuste de la tensión del generador.

Su sistema de controle PID es ajustado a través de trimpots que regulan el ganado proporcional y el ganado integral, posibilitando un amplio rango de ajuste, o que permite operación con los más diversos tipos de generadores, y con las más variadas características dinámicas. Dotados de protección contra sub frecuencia, su ponto de intervención es ajustable por trimpot, y la frecuencia nominal de operación es configurable para 50 o 60Hz.

4 CARACTERÍSTICAS TÉCNICAS

Modelo Características	GRT7-TR1
Corriente nominal de operación	5A
Corriente de Pico (max. 10s)	10A
Entrada analógica $\pm 9V_{cc}$	Opcional
Droop p/ operación paralela	si
Regeneración	D=85-140Vca H=170-240Vca I=300-420Vca J=350-480Vca
Alimentación de potencia	80-150Vca
Relación de gaño del rectificador	0,95
Tensión de salida ¹	76,5-126Vcc
Resistencia de campo @ 20°C	6 hasta 50 Ω
Regulación estática	0,5%
Respuesta dinámica ajustable	8 hasta 500ms
Frecuencia de operación	50 o 60Hz
Protección de sub frecuencia (U/F)	Ajustable
Ajuste interno de tensión	Ajustable a través del potenciómetro de ajuste, para la gama completa de tensión.
Ajuste externo de tensión ²	- 30% (V_{sen})
Temperatura de operación	-20° a +60°C
Supresión de EMI	Filtro EMI
Peso aproximado	715 g

5 TARJETA DE IDENTIFICACIÓN



El ejemplo arriba muestra las principales características que deben ser observadas antes de la instalación.



NOTE

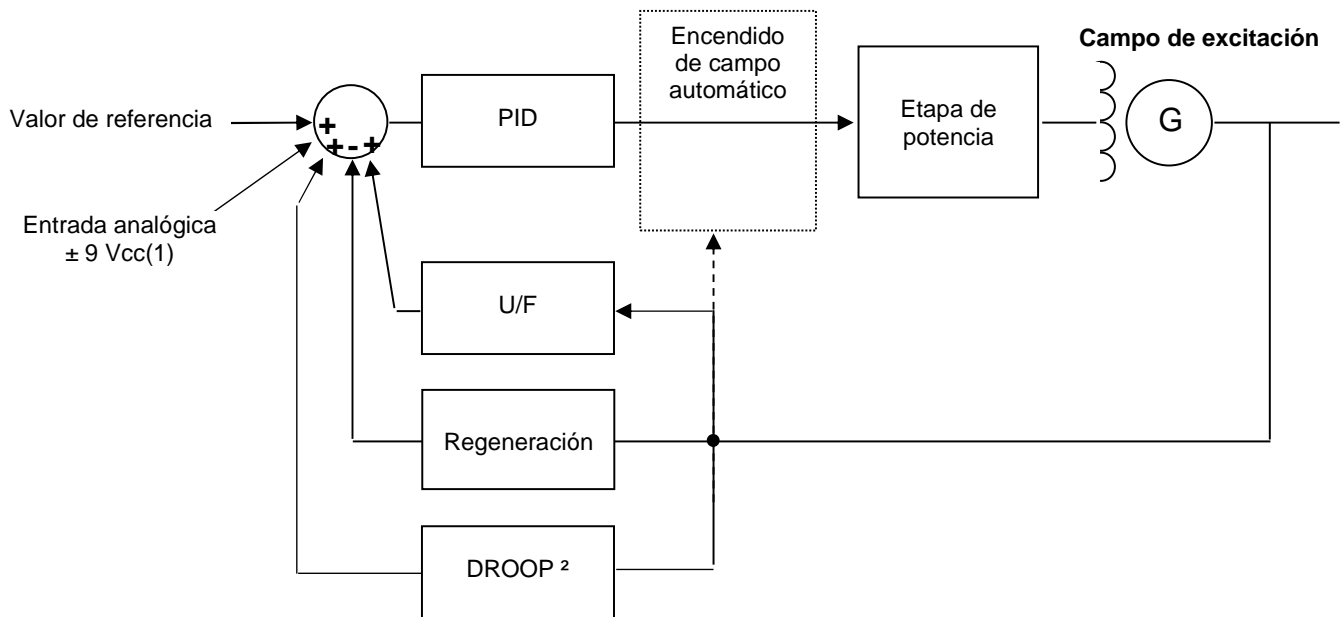
1. La tarjeta de identificación se encuentra fijada en la parte inferior del regulador.

¹ Con tensión de entrada en 80Vca, en la salida resulta 76 Vcc.

Para 150Vca de tensión de entrada, resulta 144 Vcc de tensión de salida, o sea, la máxima tensión continua de salida es lo mismo que 0,95 x tensión alternada de entrada.

² Recomendado el uso de multi-vueltas del potenciómetro.

6 DIAGRAMA DE BLOQUES



7 FUNCIÓN DE LOS TRIMPOTS

- P1:** Ajuste de Tensión.
- P2:** Ajuste da Estabilidad .
- P3:** Ajuste de Bajo frecuencia.
- P4:** Ajuste del rango de comp. de reactivos.

8 AJUSTE DE LOS TRIMPOTS

- P1:** Girando en el sentido horario aumenta la tensión.
- P2:** Girando en el sentido horario la respuesta se hace más lenta.
- P3:** Girando en el sentido horario aumenta la faja de U/F y antihorario disminuye.
- P4:** Girando en el sentido horario aumenta la faja de compensación de reactivos.



NOTE

1. Podrá ser conectado potenciómetro para ajuste fino de tensión (5KΩ/3W) en los bornes 6 y 7.

9 OPERACIÓN

9.1 REGULADOR DE TENSIÓN

Compara el valor real de tensión del generador con el valor teórico ajustado a través del trimpot de ajuste de tensión P1, más el ajuste externo de tensión (caso poseyera). El error se procesa por la malla de regeneración por lo cual el valor determina el ángulo de gatillo del thiristor que puede variar de 0 hasta 180°, controlando así la tensión de salida del generador.

9.2 CONEXIÓN DEL CIRCUITO DE POTENCIA

La tensión del generador o del bobinado auxiliar, se conecta a los bornes AC1, AC2 y AC3. Esta Tensión rectificada es aplicada controladamente en el campo de la excitatriz del generador.

9.3 ENCENDIDO DEL CAMPO

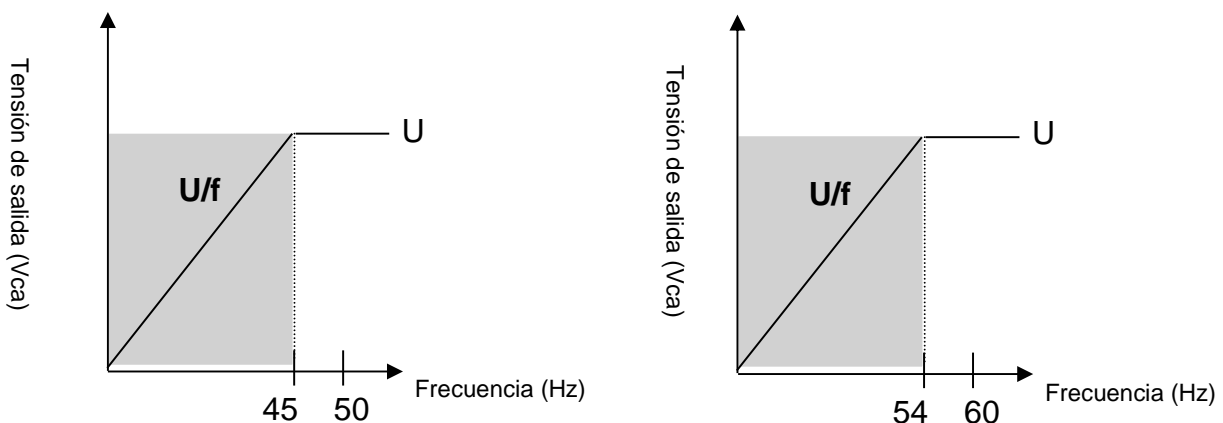
La generación empieza a través de la tensión residual del generador. Después que la tensión atinge aproximadamente 10% de la nominal, el regulador controla la tensión del generador haciendo con que la tensión ascienda a través de la rampa inicial en aproximadamente 3 segundos, hasta atinge la tensión nominal. A partir de este momento, el circuito de control del PID mantendrá la tensión de salida del generador constante de acuerdo con el valor ajustado.

9.4 OPERACIÓN U/F

Este modo de operación es determinado por el trimpot P3, jump J1 e componentes asociados. El jump J1 determina la frecuencia de operación, que sigue la lógica siguiente:

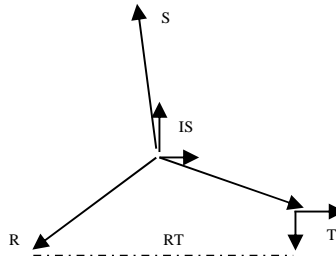
- J1 A = 60Hz
- J1 B = 50Hz

El trimpot P3 determina el punto de actuación del modo U/F, que puede ser de la frecuencia nominal (Fn) hasta 1/3 de Fn. El valor sale ajustado de la fábrica con 10% abajo de la Fn. Para operación en 60Hz se hace el ajuste para 54Hz y para operación en 50Hz se hace el ajuste para 45Hz. Este valor puede ser alterado de acuerdo con la necesidad de cada aplicación.



9.5 OPERACIÓN PARALELA DE DOS O MÁS GENERADORES¹

El sistema de compensación de reactivos utilizado es denominado composición fasorial. En este tipo de sistema, cogiese el sinal de tensión de salida del generador e se hace la composición con el sinal de corriente del generador. Lo que resulta de esta interacción introduce un error en la regeneración del sinal real de tensión, provocando un aumento o una disminución en la tensión del generador, haciendo con que el reactivo entre los generadores se quede dentro de los valores aceptables. El ajuste de esta compensación es hecho a través del trimpot P4.



¹ Solamente en los modelos TH4

Según el gráfico, la tensión de regeneración sufre una influencia causada por la corriente de la fase S que es agregada con la tensión de las fases R y T. Esta influencia es pequeña en módulo y grande en fase, o que significa decir que hay una buena compensación para cargas reactivas e una pequeña influencia para las cargas activas.

El transformador de corriente para compensación de reactivos deberá estar en la fase S del generador, y el señal de regeneración en las fases R y T.

Para garantizar que la compensación está en sentido correcto, proceda de la manera siguiente:

- Accionar un generador sencillo (aislado de la red), aplicar una carga resistiva con cerca de 20% de la capacidad del generador;
- Después de esto ruede el trimpot P4 completamente en el sentido horario, en esta operación debe ocurrir una baja de tensión en el generador.

Volviendo el trimpot nuevamente para la posición antihorario la tensión deberá aumentar. Caso esto ocurrir, la polaridad del TC está correcta, caso contrario, el TC deberá ser invertido.

Cuando se conecta algunos generadores en paralelo este procedimiento es necesario en cada generador, para garantizarse que todos los TC's están polarizados de la misma manera.

El transformador de corriente para compensación de reactivos deberá estar en la fase S del generador y la señal de realimentación en la fase R.

Para certificar la correcta polarización del TC, debe aplicarse cargas Resistivas Inductivas y verificar si el sistema responde conforme se muestra a continuación.

Cargas resistivas: Con carga resistiva no presentará compensación, manteniendo la corriente de excitación y tensión del generador constante en el valor ajustado a través del trimpot Vad. Si existe compensación, indica que el TC está en la fase errada.

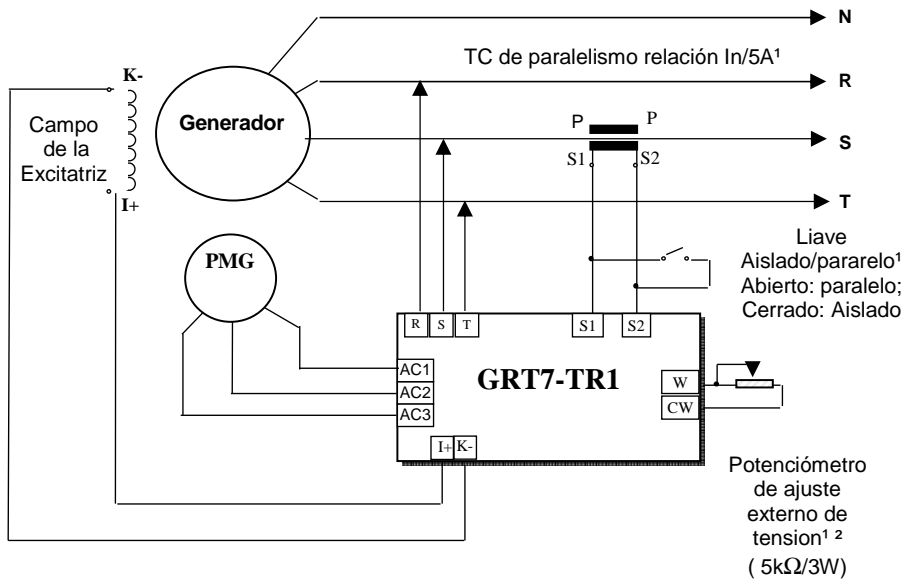
Cargas Inductivas: Con aplicación de cargas inductivas, presentará una compensación negativa, disminuyendo de la corriente de excitación correspondiendo a la ganancia ajustada en el trimpot droop (del 0 al 15% tensión ajustada en I Vad). Si la compensación es positiva indica que el TC está invertido.

Cargas Capacitivas: Con aplicación de cargas capacitivas, presentará una compensación positiva, aumentando la corriente de excitación correspondiendo a la ganancia ajustado en el trimpot droop (del 0 al 15% tensión ajustada en el Vad). Si la compensación es negativa indica que el TC está invertido.

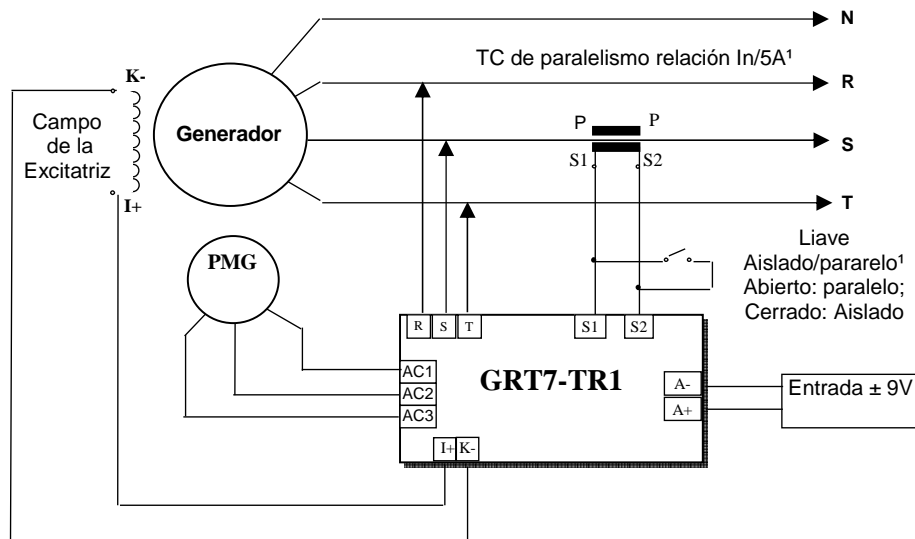
- Clase de exactitud de 0,6C12,5;
- Tipo ventana o barra;

- La relación de transformación será $I_n/5A$ o $I_n/1A$, donde I_n/xA es la relación del primario del TC. Ej.: 100/5A, 150/5A, 100/1A;
- Corriente de secundario de 5A para regulador PAR/5 y 1A para regulador PAR/1;
- La corriente en el primario del TC debe ser el 20% mayor que la corriente nominal de la máquina;
- La frecuencia de trabajo del TC debe ser igual a la frecuencia del generador;
- La clase de tensión de aislación del TC deberá ser mayor que la tensión de salida del generador;
- Deberá soportar $1,2 \times I_n$.

10 DIAGRAMA DE CONEXIÓN



GRT7-TR1 Potenciómetro Externo



GRT7-TR1 Entrada Analógica.

1 COMPONENTE NO FORNECIDO POR WEG.

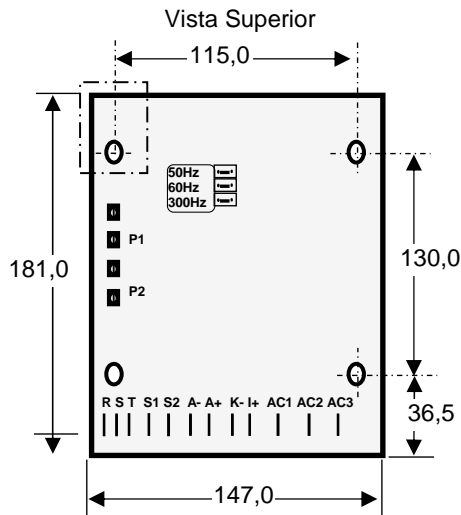
2 SI NO POSEYERE POTENCIÓMETRO CONECTADO, MANTENER LOS TERMINALES 6 Y 7 CONECTADOS (CORTOCIRCUITADOS).



ATENCIÓN

1. Antes de conectar el regulador al generador, verifique en el manual de instalación, la tensión nominal de referencia;
2. Caso la tensión de referencia no sea igual a tensión de salida del generador, no efectuar las conexiones sin antes consultar la asistencia técnica de Weg.

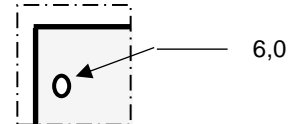
11 DIMENSIONAL (mm)



Vista delantera



Detalle del agujero de fijación



12 DESCRIPCIÓN DE LOS TERMINALES DE CONEXIÓN

R;S;T: Regeneración de tensión.

AC1;AC2;AC3: Alimentación de potencia.

S1¹: Conexión para polo S1 del TC.

S2¹: Conexión para polo S2 del TC.

6 e 7: Conexión para potenciómetro 5K Ω /3W.

I+, K-: Conexión para campo del generador.

J1: Jump 50/60 Hz.

A²: Entrada analógica de tensión – Vcc.

B²: Entrada analógica de tensión + Vcc.

13 DIAGRAMA PARA PRUEBA SIN GENERADOR

A continuación el diagrama para conexión del regulador en el banco de pruebas, donde puede verificarse el funcionamiento del equipo antes de conectarlo al generador.

Material necesario:

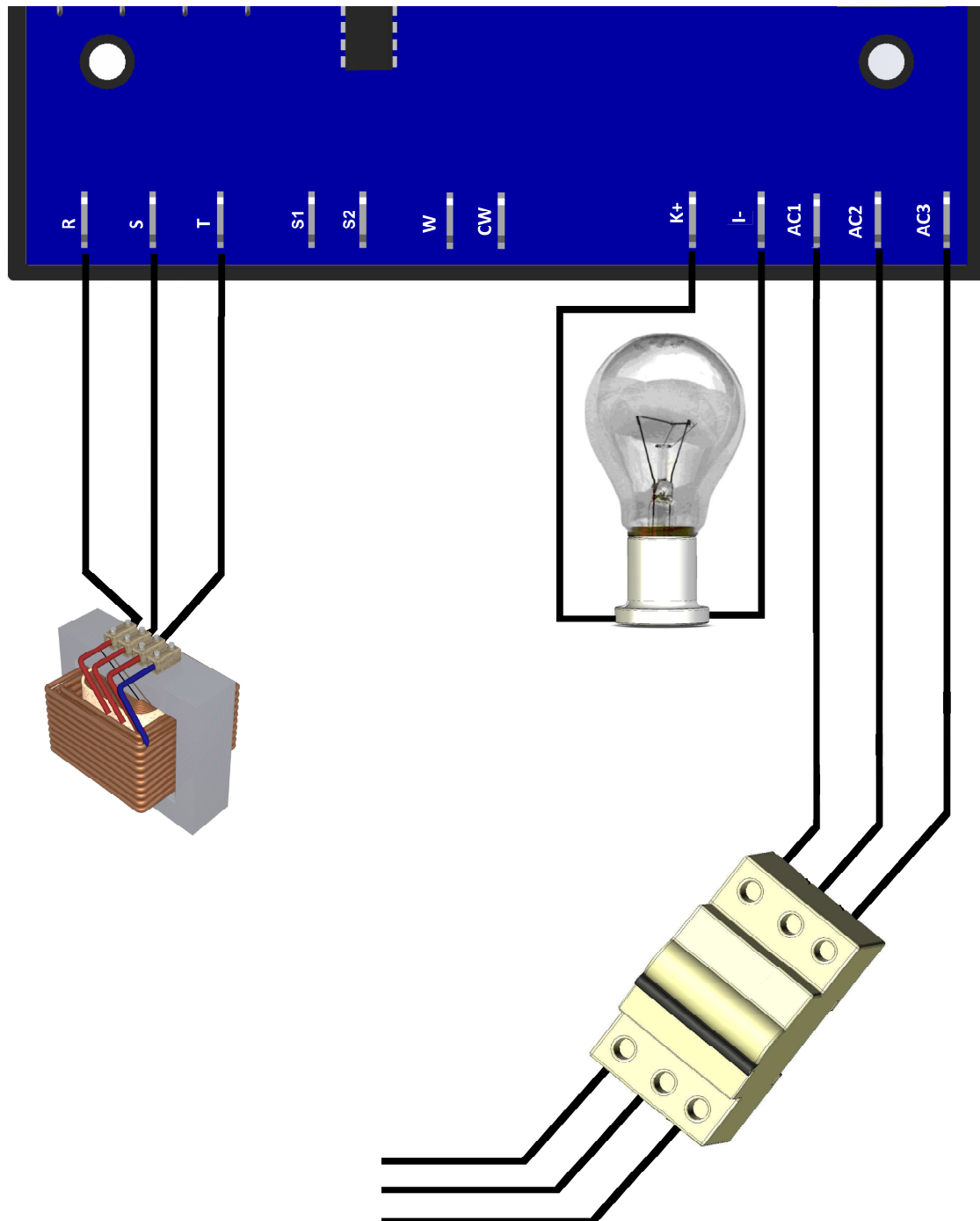
- 1 – Destornillador pequeño;
- 1 – Lámpara incandescente;
- 1 – Soquete para lámpara;
- 1 – disyuntor bipolar (5A recomendado);
- 1 – Cable de extensión;
- 1 – Tomacorriente 110V .

NOTE

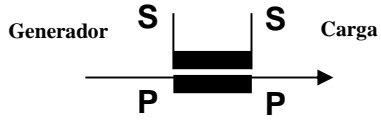


1. Si algún paso no ha ocurrido de la manera como describe el procedimiento, se debe enviar el equipo para evaluación por la asistencia técnica GRAMEYER.

- 1º - Monte el circuito conforme el diagrama al lado;
 - 2º - Con un destornillador pequeño, gire los trimpot's Vad y U/F en sentido antihorario hasta el tope final;
 - 3º - Conecte el disyuntor:
 - 4º - Gire ligeramente el trimpot Vad en sentido horario (después de una determinada posición del trimpot, la lámpara debe encender);
 - 5º - Con la lámpara encendida, gire lentamente el trimpot Vad en sentido antihorario (después de una determinada posición del trimpot, la lámpara debe apagarse);
 - 6º - Desconecte el disyuntor.
- Realizados todos los pasos conforme el procedimiento, el equipo está funcionando normalmente.



14 DEFECTOS, CAUSAS Y SOLUCIONES

Defectos	Causas	Soluciones
- Hay circulación de reactivos entre los generadores cuando operando en paralelo.	- Secuencia incorrecta de las fases (R-S-T). - TC conectado invertido. - Ajuste del Droop muy bajo.	- Conectar la secuencia de las fases correctamente. - Polarizar el TC en la fase correctamente, conforme abajo:  - Aumentar el ajuste del Droop girando el potenciómetro P2 en sentido horario.
- Tensión generada disminuye cuando aplicada carga y no retorna.	- Caída en la rotación de la máquina propulsora. - Protección de bajo frecuencia actuando.	- Corrija reg. de velocidad. - Ajuste la protección de sub frecuencia, girando el trimpot P5 en sentido horario.
- Generador no enciende.	- Tensión residual muy baja. - Bornes F (+) e F (-) invertidos.	- Con el regulador conectado, usar una batería externa (12Vcc) para reforzar la excitación (*). - Inverter F (+) e F (-).
- Tensión generada oscila en vacío.	- Dinámica desajustada. - Tensión de excitación del generador muy pequeña.	- Ajustar los trimpot's P3 y P4; - Instalar un resistor 10Ω/100W en serie con el campo.
- Tensión oscila en punto de carga específico.	- Tercera armónica del bobinado auxiliar muy elevada.	- Eliminar el bobinado auxiliar y hacer la conexión conforme los diagramas de la pagina 13.
-Tensión dispar.	- Pérdida de regeneración. - Circuito electrónico con defecto. -Tensión de regeneración incompatible con el regulador.	- Verificar si las fases del generador están presentes en la regeneración. - Para regulador encapsulado, efectuar el cambio de lo mismo.

(*) En caso de tratarse de grupo generador Diesel, deberá siempre ser utilizada batería independiente donde el neutro del generador estuvier aterrada.

15 MANTENIMIENTO PREVENTIVO

Es necesario proceder-se inspecciones periódicas en la unidad para asegurarse de que la misma encontrase limpia y libre de las acumulaciones de polvo y otros detritos. Es vital que todos los terminales y conexiones de los cables sean mantenidos libres de corrosión.

16 GARANTIA

Vea el Manual de Instalación y Mantenimiento del Generador Weg Línea G.



WEG Equipamentos Elétricos S.A.
International Division
Av. Prefeito Waldemar Grubba, 3000
89256-900 - Jaraguá do Sul - SC - Brazil
Phone: 55 (47) 3276-4002
Fax: 55 (47) 3276-4060
www.weg.net

PREFACIO

Esta publicação não poderá em hipótese alguma ser reproduzida, armazenada ou transmitida através de nenhum tipo de mídia, seja eletrônica, impressa, fonográfica ou qualquer outro meio audiovisual, sem a prévia autorização da WEG. Os infratores estarão sujeitos às penalidades previstas em lei.

Esta publicação está sujeita a alterações e/ou atualizações que poderão resultar em novas revisões dos manuais de instalação e operação, tendo em vista o contínuo aperfeiçoamento dos produtos WEG.

A WEG se reserva o direito da não obrigatoriedade de atualização automática das informações contidas nestas novas revisões. Contudo, em qualquer tempo o cliente poderá solicitar material atualizado que lhe será fornecido sem encargos decorrentes.

Em caso de perda do manual de instruções, a WEG poderá fornecer exemplar avulso, e se necessário, informações adicionais sobre o produto. As solicitações poderão ser atendidas, desde que informado o número de série e modelo do equipamento.



ATENÇÃO

1. É imprescindível seguir os procedimentos contidos neste manual para que a garantia tenha validade;
2. Os procedimentos de instalação, operação e manutenção do gerador deverão ser feitos por pessoal qualificado.



NOTAS

1. A reprodução das informações deste manual, no todo ou em partes, é permitida desde que a fonte seja citada;
2. Caso este manual seja extraviado, o arquivo eletrônico em formato PDF está disponível no site www.weg.net ou poderá ser solicitada outra cópia impressa.

ÍNDICE

1	INFORMAÇÕES DE SEGURANÇA.....	40
2	INFORMAÇÕES SOBRE ARMAZENAMENTO	40
3	INTRODUÇÃO	40
4	CARACTERÍSTICAS TÉCNICAS.....	41
5	ETIQUETA DE IDENTIFICAÇÃO.....	41
6	DIAGRAMA DE BLOCOS.....	42
7	FUNÇÃO DOS TRIMPOTS.....	42
8	AJUSTE DOS TRIMPOTS.....	42
9	OPERAÇÃO	43
9.1	REGULADOR DE TENSÃO.....	43
9.2	POTENCIA CONEXÃO DO CIRCUITO DE POTÊNCIA.....	43
9.3	ESCORVAMENTO	43
9.4	OPERAÇÃO U/F.....	43
9.5	OPERAÇÃO PARALELA DE DOIS OU MAIS GERADORES ¹	44
10	DIAGRAMA DE CONEXÃO	45
11	DIMENSIONAL (MM).....	46
12	DESCRIÇÃO DOS TERMINAIS DE CONEXÃO	47
13	DIAGRAMA PARA TESTE SEM GERADOR.....	47
14	DEFEITOS, CAUSAS E SOLUÇÕES	49
15	MANUTENÇÃO PREVENTIVA.....	49
16	GARANTIA	49

A

Para garantir a segurança dos operadores, a correta instalação do equipamento e sua preservação, as seguintes precauções deverão ser tomadas:

- Os serviços de instalação e manutenção deverão ser executados somente por pessoas qualificadas e com a utilização dos equipamentos apropriados;
- Deverão sempre ser observados os manuais de instrução e a etiqueta de identificação do produto antes de proceder a sua instalação, manuseio e parametrização;
- Deverão ser tomadas as devidas precauções contra quedas, choques físicos e/ou riscos à segurança dos operadores e do equipamento.

Sempre desconecte a alimentação geral e aguarde a parada total do gerador antes de tocar em qualquer componente elétrico associado ao equipamento, isto inclui também os conectores de comandos. Não toque nos conectores de entradas e saídas pois altas tensões podem estar presentes mesmo após a desconexão da alimentação e mantenha-os sempre isolados do restante do circuito de comando principal do gerador.

2 INFORMAÇÕES SOBRE ARMAZENAMENTO

Em caso de necessidade de armazenagem do regulador por um breve período de tempo que anteceda a sua instalação e/ou colocação em funcionamento, deverão ser tomadas as seguintes precauções:

- O regulador deverá ser mantido na sua embalagem original ou embalagem que satisfaça as mesmas condições de segurança contra danos mecânicos, temperatura e umidade excessivas, para prevenir a ocorrência de oxidação de contatos e partes metálicas, danos a circuitos integrados ou outros danos provenientes da má conservação;
- O regulador devidamente acondicionado deverá ser abrigado em local seco, ventilado em que não ocorra a incidência direta dos raios solares, bem como a chuva, vento e outras intempéries, para garantir a manutenção de suas características funcionais.

A não observância das recomendações acima poderá eximir a empresa fornecedora do equipamento de quaisquer responsabilidades pelos danos decorrentes, bem como a perda da garantia sobre o equipamento ou parte danificada.

3 INTRODUÇÃO

Os reguladores eletrônicos de tensão analógicos da série GRT7 são equipamentos compactos de alta confiabilidade e de baixo custo, os quais foram desenvolvidos dentro da mais alta tecnologia, para regulação de tensão em geradores síncronos sem escovas (brushless).

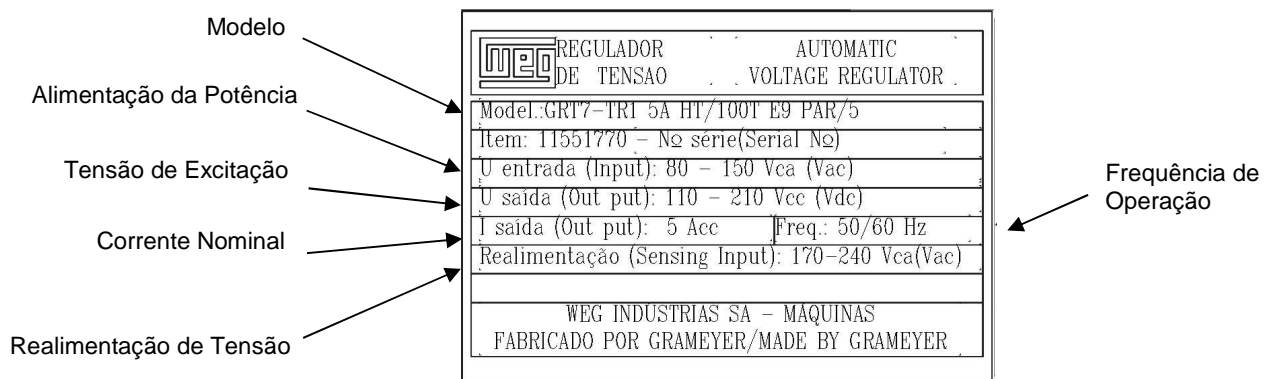
Seu circuito de controle e regulação utiliza semicondutores e circuitos integrados testados dentro dos mais rígidos padrões de qualidade. Não possui componentes mecânicos para escorvamento e seu sistema é totalmente estático e encapsulado em resina epóxi resistente à maresia, apto a suportar vibrações de até 50mm/s. Possui ajuste de tensão interno via trimpot e externo via potenciômetro, possibilitando uma faixa de ajuste da tensão do gerador em +/- 15% da tensão nominal.

Seu sistema de controle PID é ajustado através de trimpots que ajustam o ganho proporcional e o ganho integral, possibilitando uma ampla faixa de ajuste, o que permite operação com os mais diversos tipos de geradores, e com as mais variadas características dinâmicas. Dotado de proteção contra subfrequência, seu ponto de intervenção é ajustável via trimpot, e a frequência nominal de operação é configurável para 50 ou 60 Hz.

4 CARACTERÍSTICAS TÉCNICAS

Modelo Características	GRT7-TR1
Corrente nominal de operação	5A
Corrente de pico	10A
Entrada analógica $\pm 9V_{cc}$	Opcional
Ajuste Droop p/ operação paralela	Sim
Realimentação	D=85-140Vca H=170-240Vca I=300-420Vca J=350-480Vca
Alimentação da potência	80-150 Vca
Relação de ganho do retificador	0,95
Tensão de saída ¹	76,5-126 Vcc
Resistência de campo @ 20°C	6 até 50 Ω
Regulação estática	0,5%
Resposta dinâmica ajustável	8 a 500ms
Frequência de operação	50 ou 60Hz
Proteção de subfrequência (U/F)	Ajustável
Ajuste interno de tensão	Ajustável via trimpot, para toda a gama de tensão
Ajuste externo de tensão	- 30% (V_{sen})
Temperatura de operação	-20° a +60°C
Supressão de EMI	Filtro EMI
Peso aproximado	715 g

5 ETIQUETA DE IDENTIFICAÇÃO



O exemplo acima mostra as principais características a serem observadas antes da instalação.

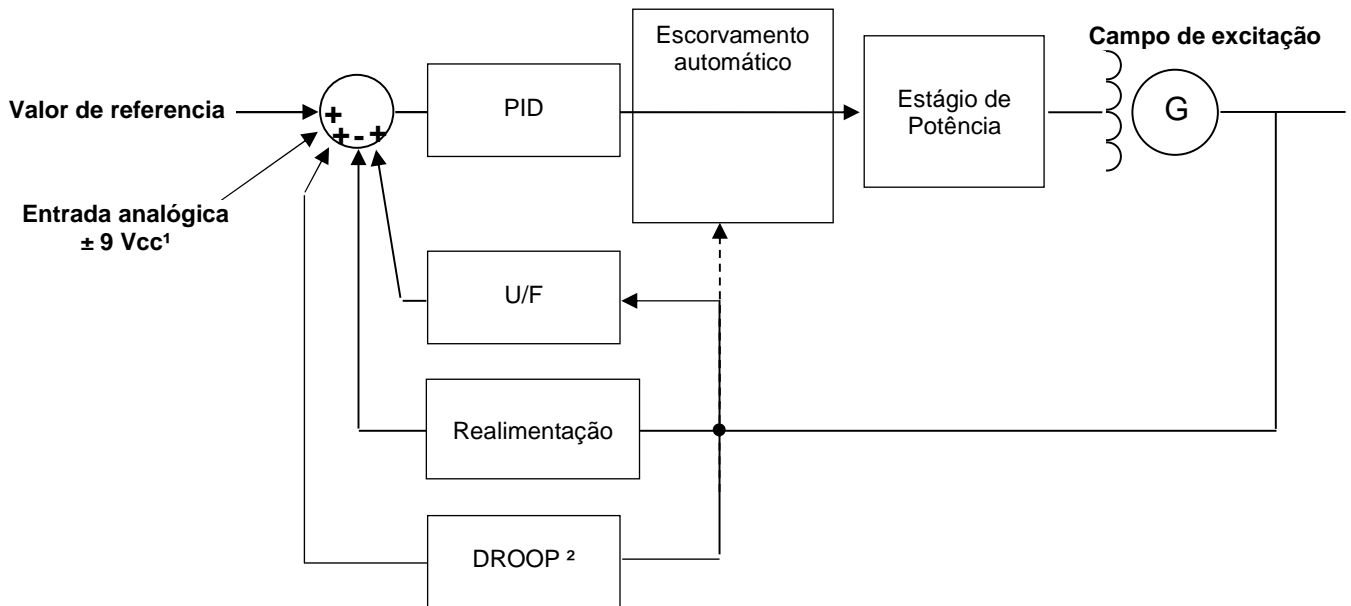


NOTE

1. A etiqueta de identificação encontra-se fixada na parte inferior do regulador.

¹ Com tensão de entrada em 80Vca, obtém-se 76Vcc de tensão máxima de saída. Para 150Vca de tensão de entrada, obtém-se 144 Vcc de tensão de saída, ou seja, a máxima tensão contínua de saída é igual a 0,95 x tensão alternada de entrada.

6 DIAGRAMA DE BLOCOS



7 FUNÇÃO DOS TRIMPOTS

- P1: Ajuste de Tensão
- P2: Ajuste da Estabilidade
- P3: Ajuste de Subfrequência
- P4: Ajuste de faixa de comp. de reativos (Droop)²

8 AJUSTE DOS TRIMPOTS

- P1: Girando no sentido horário aumenta a tensão
- P2: Girando no sentido horário a resposta torna-se mais lenta
- P3: Girando no sentido horário aumenta a faixa de U/F e anti-horário diminui
- P4: Girando no sentido horário aumenta a faixa de compensação de reativos



NOTE

1. Poderá ser conectado potenciômetro para ajuste fino de tensão (5k Ω /3W) nos bornes 6 e 7.

9 OPERAÇÃO

9.1 REGULADOR DE TENSÃO

Compara o valor real de tensão proveniente da saída do gerador com o valor teórico ajustado através do trimpot de ajuste de tensão P1, mais o ajuste externo de tensão (caso houver). O erro é processado pela malha de realimentação cujo valor determina o ângulo de disparo do tiristor que pode variar de 0 a 180°, controlando desta forma a tensão de saída do gerador.

9.2 POTENCIA CONEXÃO DO CIRCUITO DE POTÊNCIA

A tensão proveniente do gerador ou da bobina auxiliar, é conectada aos bornes AC1, AC2 e AC3. Esta tensão retificada é aplicada controladamente ao campo da excitatriz do gerador.

9.3 ESCORVAMENTO

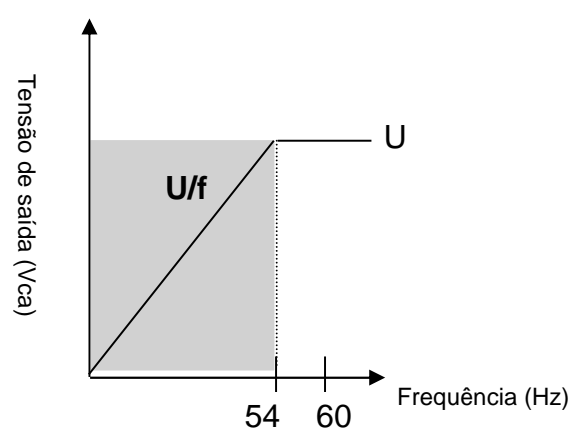
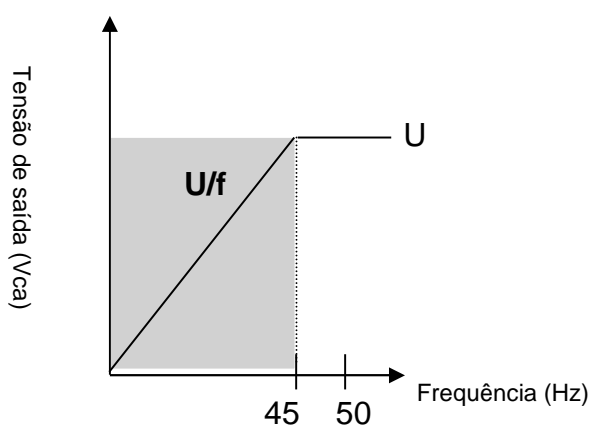
O início de geração se dá através da tensão residual do gerador. Após a tensão atingir aproximadamente 10% da nominal, o regulador controla a tensão do gerador fazendo com que a tensão suba através da rampa inicial em aproximadamente 3 segundos, até atingir a tensão nominal. A partir deste momento, a malha de controle do PID manterá a tensão de saída do gerador constante dentro do valor ajustado.

9.4 OPERAÇÃO U/F

Este modo de operação é determinado pelo trimpot P3, jumper J1 e componentes associados. O jumper J1 determina a frequência de operação, que segue a seguinte lógica:

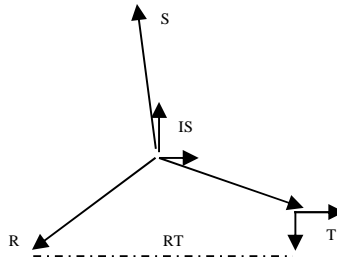
- J1 A = 60Hz
- J1 B = 50Hz

O trimpot P3 determina o ponto de atuação do modo U/F, que pode ser desde a frequência nominal (F_n) até $1/3$ de F_n , cujo valor sai ajustado de fábrica 10% abaixo da F_n . Para operação em 60Hz é ajustado para 54Hz e para operação em 50Hz é ajustado para 45Hz, cujo valor pode ser alterado de acordo com a necessidade de cada aplicação.



9.5 OPERAÇÃO PARALELA DE DOIS OU MAIS GERADORES¹

O sistema de compensação de reativos adotado é denominado composição fasorial. Neste tipo de sistema, toma-se o sinal de tensão de saída do gerador e faz-se a composição com o sinal de corrente do gerador. O resultado desta interação introduz um erro na realimentação do sinal real de tensão, provocando um aumento ou uma diminuição na tensão do gerador, fazendo com que o reativo entre os geradores fique dentro dos valores aceitáveis. O ajuste desta compensação é feito através do trimpot P4.



¹ Somente nos modelos TH4

Conforme o diagrama fasorial, a tensão de realimentação sofre uma influência provocada pela corrente proveniente da fase S que é somada com a tensão das fases R e T. A influência é pequena em módulo e grande em fase, o que significa dizer que há uma boa compensação para cargas reativas e uma pequena influência mediante cargas ativas.

O transformador de corrente para compensação de reativos deverá estar na fase S do gerador, e o sinal de realimentação nas fases R e T.

Para certificar-se que a compensação está no sentido correto, proceder da seguinte forma:

- Acionar o gerador de forma singela (isolado da rede), aplicar uma carga resistiva da ordem de 20% de sua capacidade;
- Após girar o trimpot P4 todo no sentido horário, neste processo deve ocorrer uma queda de tensão no gerador;

Voltando o trimpot novamente para a posição anti-horário a tensão deverá aumentar. Se isto acontecer, a polaridade do TC está correta, caso contrário, o TC deverá ser invertido.

Quando liga-se várias máquinas em paralelo este procedimento é necessário em cada máquina, para assegurar-se que todos os TC's estão polarizados da mesma forma.

Conforme o diagrama fasorial, a tensão de realimentação sofre uma influência provocada pela corrente proveniente da fase S que é somada com a tensão das fases R e T. A influência é pequena em módulo e grande em fase, o que significa dizer que há uma boa compensação para cargas reativas e uma pequena influência mediante cargas ativas.

O transformador de corrente para compensação de reativos deverá estar na fase S do gerador, e o sinal de realimentação na fase R.

Para certificar a correta polarização do TC deve ser aplicado cargas Resistivas Indutivas e verificar se o sistema responde conforme abaixo.

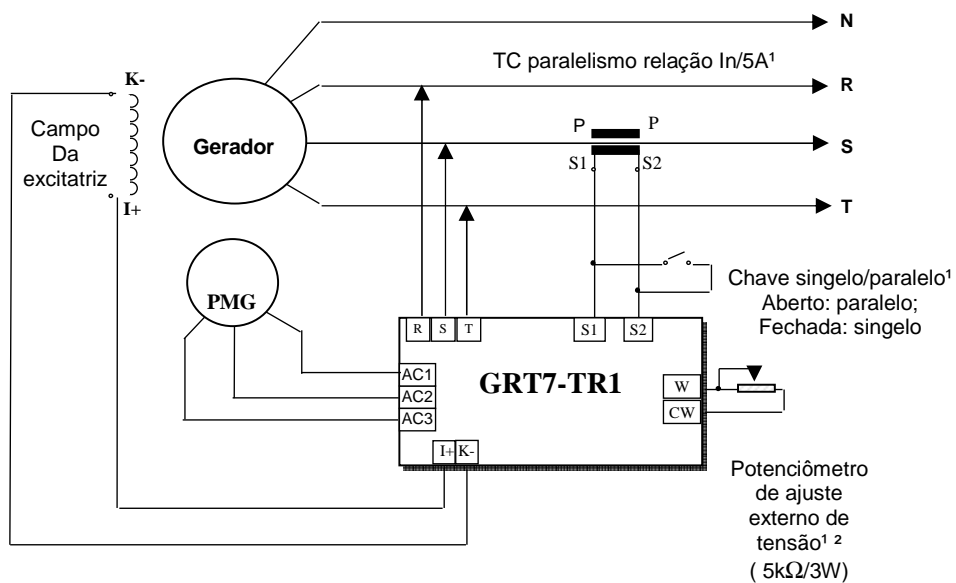
Cargas resistivas: Com carga resistiva não apresentará compensação, mantendo a corrente de excitação e tensão de gerador constante no valor ajustado via trimpot Vad. Se houver compensação, indica que o TC está na fase errada.

Cargas Indutivas: Com aplicação de cargas indutivas, apresentará uma compensação negativa, diminuindo da corrente de excitação correspondendo ao ganho ajustado no trimpot droop (0 a 15% tensão ajustada no Vad). Se a compensação for positiva indica que o TC está invertido.

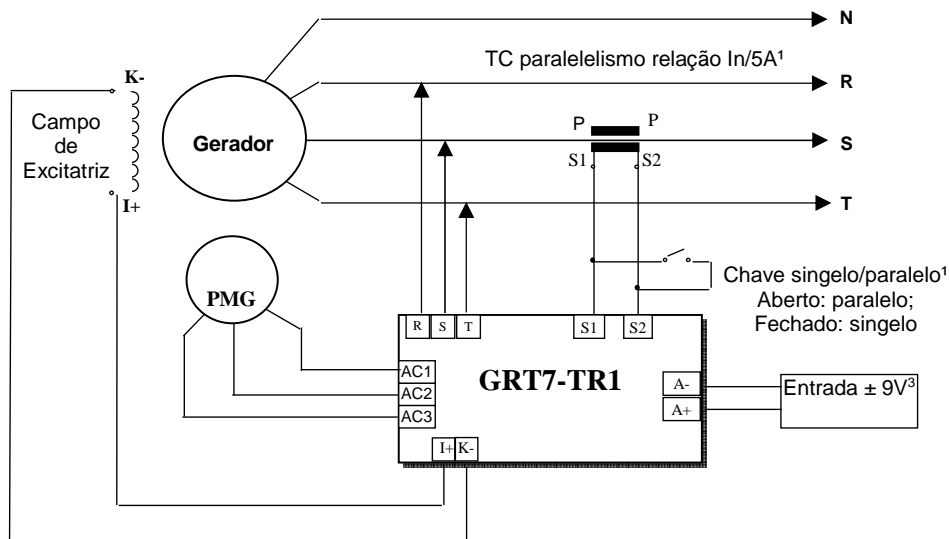
Cargas Capacitivas: Com aplicação de cargas capacitivas, apresentará uma compensação positiva, aumentando a corrente de excitação correspondendo ao ganho ajustado no trimpot droop (0 a 15% tensão ajustada no Vad). Se a compensação for negativa indica que o TC está invertido.

- Classe de exatidão de 0,6C12,5;
- Tipo janela ou barra;
- A relação de transformação será $I_n/5A$ ou $I_n/1A$, onde I_n/xA é a relação do primário do TC. Ex.: 100/5A, 150/5A, 100/1A;
- Corrente de secundário de 5A para regulador PAR/5 e 1A para regulador PAR/1;
- A corrente no primário do TC deve ser 20% maior do que a corrente nominal da máquina;
- A frequência de trabalho do TC deve ser igual à frequência do gerador;
- A classe de tensão de isolamento do TC deverá ser maior do que a tensão de saída do gerador;
- Deverá suportar $1,2 \times I_n$.

10 DIAGRAMA DE CONEXÃO



GRT7-TR1
Potenciômetro Externo



GRT7-TR1
Entrada Analógica

1 ITEM NÃO FORNECIDO PELA WEG.

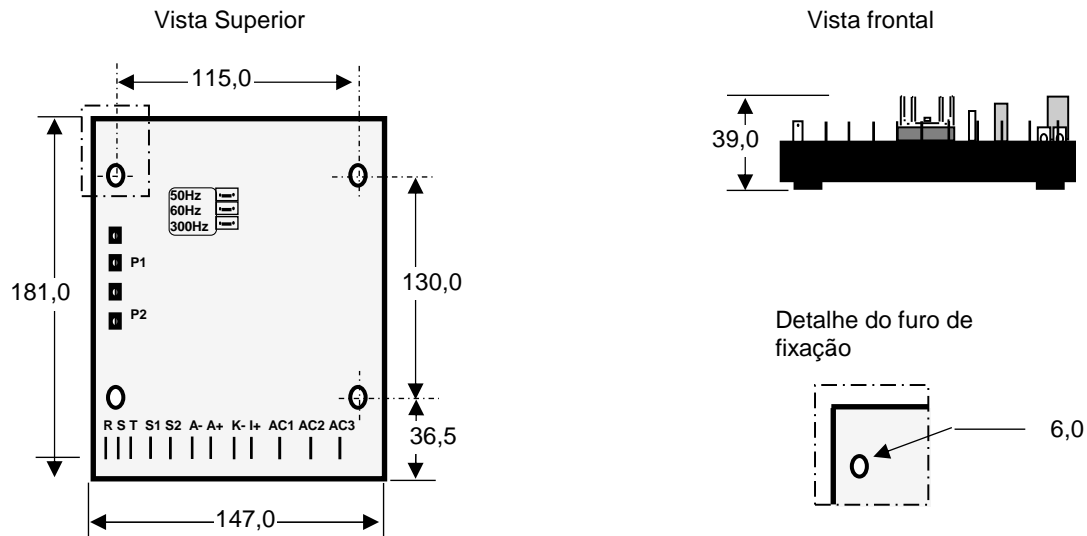
2 SE NÃO HOUVER POTENCIÔMETRO CONECTADO, MANTER OS TERMINAIS 6 E 7 JUMPEADOS (CURTO-CIRCUITADOS).



ATENÇÃO

1. Antes de conectar o regulador ao gerador, verifique no manual de instalação, a tensão nominal de referência;
2. Se a tensão de referência não for igual a tensão de saída do gerador, não efetuar as ligações sem antes consultar a assistência técnica.

11 DIMENSIONAL (mm)



12 DESCRIÇÃO DOS TERMINAIS DE CONEXÃO

- R;S;T:** Realimentação de tensão.
- AC1;AC2;AC3:** Alimentação da potência.
- 1¹:** Conexão para pólo S1 do TC.
- 2¹:** Conexão para pólo S2 do TC.
- 6 e 7:** Conexão para potenciômetro 5 kΩ /3W.
- F+, F-:** Conexão para campo do gerador.
- J1:** Jumper 50/60 Hz.
- A+:** Entrada analógica de tensão – Vcc
- A-:** Entrada analógica de tensão + Vcc

13 DIAGRAMA PARA TESTE SEM GERADOR

Segue abaixo o diagrama para ligação do regulador em bancada onde pode ser verificado o funcionamento do equipamento antes de ligá-lo no gerador.

Material necessário:

- 1 – Chave de fenda pequena;
- 1 – Lâmpada incandescente;
- 1 – Soquete para lâmpada;
- 1 – disjuntor bipolar (5A recomendado);
- 1 – Cabo de extensão;
- 1 – Tomada 110V.

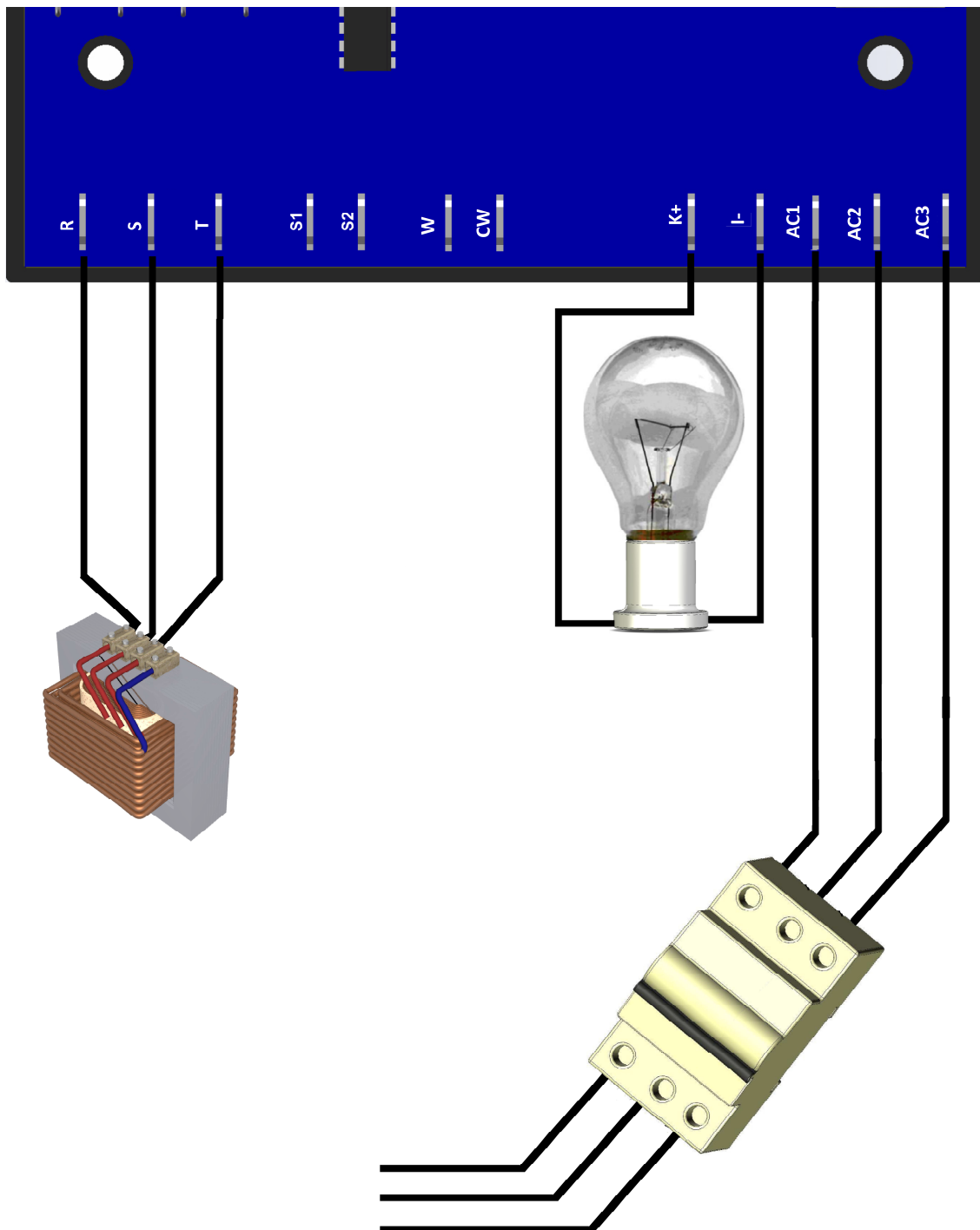


NOTE

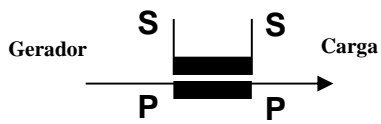
1. Caso algum passo não tenha ocorrido da maneira como descreve o procedimento, o equipamento deverá ser enviado para avaliação pela assistência técnica GRAMEYER

1º - Montar circuito conforme diagrama ao lado;

- 2º - Com uma chave de fenda pequena, girar os trimpot's Vad e U/F no sentido anti-horário até o fim de curso;
 - 3º - Ligar o disjuntor:
 - 4º - Girar levemente o trimpot Vad no sentido horário (após uma determinada posição do trimpot, a lâmpada deve ascender);
 - 5º - Com a lâmpada acesa, girar lentamente o trimpot Vad no sentido anti-horário (após uma determinada posição do trimpot, a lâmpada deve apagar);
 - 6º - Desligar disjuntor.
- Realizados todos os passos conforme o procedimento o equipamento está funcionando normalmente.



14 DEFEITOS, CAUSAS E SOLUÇÕES

Defeitos	Causas	Soluções
- Há circulação de reativos entre os geradores quando operando em paralelo.	<ul style="list-style-type: none"> - Sequência das fases (R-S-T) conectados errados. - TC conectado invertido. - Ajuste do Droop muito baixo. 	<ul style="list-style-type: none"> - Conectar a sequência das fases corretamente. - Polarizar TC na fase corretamente, conforme abaixo:  <ul style="list-style-type: none"> - Aumentar o ajuste do Droop girando P2 para o sentido horário.
- Tensão gerada diminui quando aplicada carga e, não retorna.	<ul style="list-style-type: none"> - Queda na rotação da máquina acionante. - Proteção de subfrequência atuando. 	<ul style="list-style-type: none"> - Corrigir reg. de velocidade. - Ajustar proteção de subfrequência, girando o trimpot P5 no sentido horário.
- Gerador não escorva.	<ul style="list-style-type: none"> - Tensão residual muito baixa. - Bornes F (+) e F (-) invertidos. 	<ul style="list-style-type: none"> - Com o regulador ligado, usar bateria externa (12Vcc) para forçar excitação (*). - Inverter F (+) e F (-).
- Tensão gerada oscila a vazio.	<ul style="list-style-type: none"> - Dinâmica desajustada. - Tensão de excitação do gerador muito pequena. 	<ul style="list-style-type: none"> - Ajustar trimpot's P3 e P4; - Colocar resistor 10Ω/100W em série com o campo.
- Tensão oscila em um ponto de carga específico.	- Terceira harmônica da bobina auxiliar elevada.	- Eliminar bobina auxiliar e proceder à conexão conforme diagramas da página 13.
- Tensão dispara.	<ul style="list-style-type: none"> - Falta de realimentação. - Circuito eletrônico com defeitos. - Tensão de realimentação incompatível com o regulador. 	<ul style="list-style-type: none"> - Verificar se as fases do gerador estão presentes na realimentação. - Para regulador encapsulado efetuar a troca do mesmo.

(*) Para bateria de grupo gerador diesel onde o neutro do gerador estiver aterrado, deverá sempre ser utilizada bateria independente.

15 MANUTENÇÃO PREVENTIVA

É necessário proceder-se inspeções periódicas na unidade para assegurar-se de que a mesma encontra-se limpa e livre do acúmulo de pó e outros detritos. É vital que todos os terminais e conexões dos fios sejam mantidos livres de corrosão.

16 GARANTIA

Vide o Manual de Instalação e Manutenção do Gerador Weg Linha G.



WEG Equipamentos Elétricos S.A.
 International Division
 Av. Prefeito Waldemar Grubba, 3000
 89256-900 - Jaraguá do Sul - SC - Brazil
 Phone: 55 (47) 3276-4002
 Fax: 55 (47) 3276-4060
www.weg.net



WEG Equipamentos Elétricos S.A.
Internation Division
AV. Prefeito Waldemar Grubba, 3000
89256-900 - Jaraguá do Sul - SC - Brasil
Phone: 55 (47) 3276-4002
Fax: 55(47) 3276-4060
www.weg.net